



WPM 002

Two component undertile waterproofing membrane

DESCRIPTION

WPM 002 is a tough, fast drying two component waterproofing membrane specifically designed for use under tiles. WPM 002 is based on the most advanced acrylic polymer technology, and is totally resistant to re-emulsification. It is flexible, low in odour, and is fully compatible with polymer modified tile adhesives with fast drying properties to enable tiling in 16 - 24 hours. The product has been uniquely formulated with synthetic microfibers to increase its strength and eliminate the need for a separate reinforcement mat.

WPM 002 meets the Green Building Council of Australia Green Star IEQ-13 requirements for Architectural Sealant when tested in accordance with SCAQMD Method 304-91 Determination of Volatile Organic Compounds (VOC) in Various Materials as referenced by South Coast Air Quality Management Division (SCAQMD) Rule 1168. WPM 002 is BRANZ appraised, BRANZ Appraisal No 701(2011) – ARDEX Under Tile External Waterproofing Membranes.

USES

Waterproofing areas that will be tiled or otherwise protected from regular foot traffic

- Swimming Pools
- Drywalls, Fibre cement, Plasterboard, Plywood, Particle Board (marine grade)
- Podiums, Terraces and Balconies
- Internal Wet Areas

FEATURES

- Fast drying: Can be tiled over in 16 - 24 hours
- Fibre reinforced: Excellent strength, eliminates need for reinforcing mat
- Flexible: Accommodates normal building movement
- Advanced acrylic: Will not re-emulsify
- Fully compatible with polymer modified tile adhesives.
- Water based, low odour and easy cleaning for undertile waterproofing
- Meets class III category for AS4858 Wet Area Membranes
- Low VOC content: meets Green Building Council of Australia Green Star IEQ-13 requirements
- BRANZ appraised, BRANZ Appraisal No 701(2011) – ARDEX Under Tile External Waterproofing Membranes.

PHYSICAL PROPERTIES

Characteristics of mixed product

Mixing Ratio	1:1 by weight
Mixed density	1.4 kg/litre
Mixed solid content	75 %
ASTM D 1644	
Colour	light grey/green

Characteristics of cured membrane

Shore A hardness	
ASTM D2240	
Dry film	85 - 90
Elongation at Break	332 % @ 7 days
AS1145	
Crack Bridging capacity	No cracks @ 1.6 mm
ASTM C 1305	
Tensile Strength	
AS 1145	
Dry	1.7 MPa @ 7 days
Full Cure	2.9 MPa @ 28 days
Adhesion to cement substrate with primer	> 1.0 N/mm ²
ASTM D 4541	
Tear strength	0.40 N/mm ²
ASTM D 1004	
Water Absorption	1.60 %
ASTM D 5147	
Acceptance of cyclic movement	Pass (10 cycles)
ASTM C 1305	
VOC content	25 g/L

COVERAGE ESTIMATES

Pack size	Coverage
40 kg	Approx. 16 - 24m ² per pack
Powder 20 kg	@ 0.8 mm - 1.2 mm thickness
Liquid 20 litres	for two coats

Location	Thickness per Coat		Total Dry Film Thickness (2 coats)	Theoretical coverage per 40kg kit	
	Dry Film	Wet Film		Per coat	For 2 coats
Floors	0.6mm	0.9mm	1.2mm	32m	16m
Walls	0.4mm	0.6mm	0.8mm	48m	24m

WPM 002

Two component undertile waterproofing membrane

APPLICATION INSTRUCTIONS

Surface Preparation

The surface to be treated must be dry, clean, structurally sound, free from oil, grease, wax, polish, laitance, dust and other barrier materials. All vertical bore packing shall be treated using B 30 (non shrink cementitious structural grout) and all horizontal bore packing shall be treated using polymer modified mortar admixed with E 135.

Covings, if required, shall be installed using polymer modified mortar admixed with E 135 (SBR, multipurpose concentrated liquid polymer additive and bonding agent).

Water ponding test shall be carried out to find the cracks and construction joints. Cracks or construction joints, if found, shall be treated using polymer modified mortar admixed with E 135.

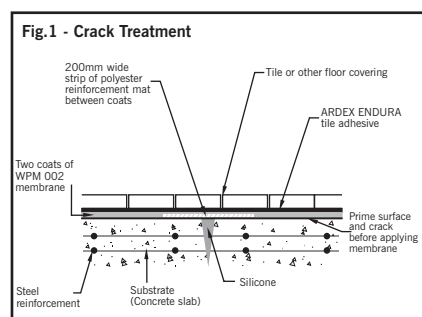
Crack/Joint treatment

Cracks/Joints < 2mm:

Clean and remove any loose particles in the crack. Prime the crack and adjacent area carefully in a band of 200 mm wide and allow to dry before applying WPM 002.

Cracks/Joints 2 - 6mm: (Refer Fig.1)

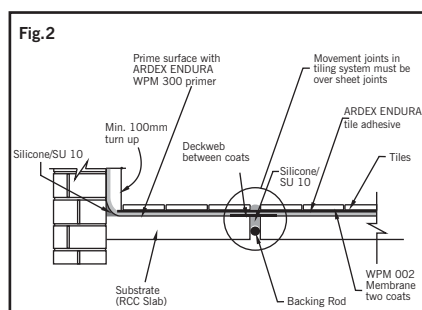
Clean and remove any loose particles in the crack. Prime the crack and adjacent area carefully in a band of 300 mm wide. Apply a bead of neutral cure silicone into the crack and extend it 6 mm either side. Apply WPM 002 on the primed surface and immediately place a 200 mm wide band of Deckweb over the wet coating. Thoroughly wet out the cloth and remove all creases in, or air pockets under the mat. Immediately apply a second coat to completely fill the mat.



Cracks/Joints > 6mm: (Refer Fig.2)

Use the same procedure as above, but replace the reinforcing mat with 120 mm of Coving Bandage.

Note: If tiling, movement joints should be taken to the surface of the tiles and fill with an appropriate joint sealant.



Priming

For fully cured, dried surface:

Mix and apply using a brush or roller a coat of WPM 265 (acrylic primer) to all areas to be waterproofed. Allow the primer to completely dry prior to the application of WPM 002.

For damp surface (with no standing water):

Mix and apply using a brush or roller a coat of WPM 300 (water based epoxy membrane) to all areas to be waterproofed. Allow the primer to completely dry prior to the application of WPM 002.

Mixing

The liquid should be thoroughly stirred and poured in a suitable mixing vessel. Slowly add the powder and mix with spiral mixing paddle in a slow speed drill. Continue until a consistent homogenous mix is achieved.

Corners, Turnings and cut-out treatment

Note: For drywalls, ensure all joints between the panels, wall/floor junctions and cut-outs are sealed with a bead of SU 10 (1 part PU sealant), smooth over the sealant and allowed to dry before starting the treatment.

After the primer has dried, apply WPM 002 over all corners, turnings and cut-outs and immediately place a 190mm wide band of Deckweb (at solid wall & floor corners)/ WPT 312 (at all dry wall & floor corners)/ WPT 324 (at corners of water retaining wall structure) over the applied membrane. Thoroughly press the cloth using a roller to remove all creases/air pockets under the mat. Immediately apply a second coat to completely fill the mat.

Application

Using a suitable brush or roller, apply the first coat of WPM 002 over the primed surface and allow it to dry before applying a second coat in an opposite direction. Allow the membrane to dry completely before tiling or subsequent finishes.

CLEANING

Wash hands, brushes, rollers, etc with water while the material is still fresh. Remove cured material mechanically.

STORAGE AND SHELF LIFE

WPM 002 has a shelf life of 12 months if kept in a dry, clean store between 5°C and 30°C in the original unopened containers. The product should be protected from frost, away from direct sunlight and sources of heat.

Precautions

During mixing and application the following precautions should be observed: ensure adequate ventilation and avoid contact of the material with the eyes, nasal passages, mouth and unprotected skin. Avoid contact with the hands by wearing protective gloves and by using, if necessary, a suitable barrier cream. In case of contact with the eyes, rinse immediately with plenty of water and seek medical advice and after contact with the skin wash immediately with plenty of soap and water. Observe personal hygiene, particularly washing the hands after work has been completed or at any interruption whilst work is in progress. Care should be taken when removing gloves to avoid contaminating the insides. In case of accidents seek medical advice.

WPM 002

Two component undertile waterproofing membrane

DISPOSAL/SPILLAGE

Spillage of any of the product components should be absorbed onto sand or other inert materials and transferred to a suitable disposable vessel. Disposal of such spillage or empty packaging should be in accordance with local waste disposal authority regulations.

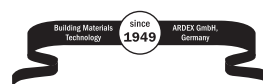
For further information please refer to the Material Safety Data Sheet.

CONDITIONS OF SALE

Sold subject to the Company's conditions of sale which are available on request.

NOTE

The information supplied in this datasheet is based upon extensive experience and is given in good faith in order to help you. Our Company policy is one of continuous Research and Development; we therefore reserve the right to update this information at any time without prior notice. We also guarantee the consistent high quality of our products. However, as we have no control over site conditions or the execution of the work, we accept no liability for any loss or damage which may arise as a result thereof.



ARDEX ENDURA (INDIA) PRIVATE LIMITED

an ISO 9001:2015 & ISO 14001:2015 certified company
Corporate Office & Regd. Office: Unit No. 406 & 407,
"Brigade Rubix" No. 20, HMT Campus,
Yeshwanthpur Hobli, Bengaluru - 560013.
CIN No: U24233KA1997PTC022383 Tet: +91 80 66746500
Email: customercare@ardexendura.com
Website: www.ardexendura.com

Branches

• AHMEDABAD	079 26425310	• HUBBALLI	0836 2970505	• NAGPUR	+919822223743
• AURANGABAD	+918605445577	• HYDERABAD	040 27650293	• PATNA	+919934687909
• BENGALURU:	080 40912934	• INDORE	0731 4021148	• PUNE	020 64781879
• BHUBANESHWAR	0674 2578101	• JAIPUR	0141 2441893	• RAIPUR	0771 4038300
• CALICUT	0495 2740334	• KOLKATA	+919831071084	• SALEM	0427 2271454
• CHENNAI	044 42805544	• LUCKNOW	0522 4043251	• SHIVAMOGGA	+919880605770
• DELHI	011 26397645	• LUDHIANA	0161 2532170	• TRICHY	+919894766109
• ERNAKULAM	0484 2341044	• MANGALURU	0824 2442176	• TRIVANDRUM	0471 2598648
• GOA	0832 2750992	• MUMBAI	022 65133299	• VIJAYAWADA	+918688354587
• GUWAHATI	+917896002188	• MYSURU	0821 2570171	• VISAKAPATNAM	0891 6469499