



WPM 002

Two component undertile waterproofing membrane

DESCRIPTION

WPM 002 is a tough, fast drying two component waterproofing membrane specifically designed for use under tiles. WPM 002 is based on the most advanced acrylic polymer technology, and is totally resistant to re-emulsification. It is flexible, low in odour, and is fully compatible with polymer modified tile adhesives with fast drying properties to enable tiling in 16 - 24 hours. The product has been uniquely formulated with synthetic microfibers to increase its strength and eliminate the need for a separate reinforcement mat.

WPM 002 meets the Green Building Council of Australia Green Star IEQ-13 requirements for Architectural Sealant when tested in accordance with SCAQMD Method 304-91 Determination of Volatile Organic Compounds (VOC) in Various Materials as referenced by South Coast Air Quality Management Division (SCAQMD) Rule 1168. WPM 002 is BRANZ appraised, BRANZ Appraisal No 701(2011) – ARDEX Under Tile External Waterproofing Membranes.

USES

Waterproofing areas that will be tiled or otherwise protected from regular foot traffic

- Swimming Pools
- Drywalls, Fibre cement, Plasterboard, Plywood, Particle Board (marine grade)
- Podiums, Terraces and Balconies
- Internal Wet Areas

FEATURES

- Fast drying: Can be tiled over in 16 - 24 hours
- Fibre reinforced: Excellent strength, eliminates need for reinforcing mat
- Flexible: Accommodates normal building movement
- Advanced acrylic: Will not re-emulsify
- Fully compatible with polymer modified tile adhesives.
- Water based, low odour and easy cleaning for undertile waterproofing
- Meets class III category for AS4858 Wet Area Membranes
- Low VOC content

PHYSICAL PROPERTIES

Characteristics of mixed product

| | |
|------------------------------------|------------------|
| Temperature | @ 27 ± 1°C |
| Mixing Ratio | 1:1 by weight |
| Mixed density | 1.4 kg/litre |
| Mixed solid content ASTM D 1644 | 75 % |
| Colour | light grey/green |

Characteristics of cured membrane

| | |
|--|-------------------------|
| Shore A hardness ASTM D2240 | |
| Dry film | 85 - 90 |
| Elongation at Break AS1145 | 332 % @ 7 days |
| Crack Bridging capacity ASTM C 1305 | No cracks @ 1.6 mm |
| Tensile Strength AS 1145 | |
| Dry | 1.7 MPa @ 7 days |
| Full Cure | 2.9 MPa @ 28 days |
| Adhesion to cement substrate with primer ASTM D 4541 | > 1.0 N/mm ² |
| Tear strength ASTM D 1004 | 0.40 N/mm ² |
| Water Absorption ASTM D 5147 | 1.60 % |
| Acceptance of cyclic movement ASTM C 1305 | Pass (10 cycles) |
| VOC content | 25 g/L |

COVERAGE ESTIMATES

| | |
|------------------|--|
| Pack size | Coverage |
| 40 kg | Approx. 16 - 24m ² per pack |
| Powder 20 kg | @ 0.8 mm - 1.2 mm thickness |
| Liquid 20 litres | for two coats |

| Location | Thickness per Coat | | Total Dry Film Thickness (2 coats) | Theoretical coverage per 40kg kit | |
|----------|--------------------|----------|---------------------------------------|-----------------------------------|------------------|
| | Dry Film | Wet Film | | Per coat | For 2 coats |
| Floors | 0.6mm | 0.9mm | 1.2mm | 32m ² | 16m ² |
| Walls | 0.4mm | 0.6mm | 0.8mm | 48m ² | 24m ² |

WPM 002

Two component undertile waterproofing membrane

APPLICATION INSTRUCTIONS

Surface Preparation

The surface to be treated must be dry, clean, structurally sound, free from oil, grease, wax, polish, laitance, dust and other barrier materials. All vertical bore packing shall be treated using B 30 (non-shrink cementitious structural grout) and all horizontal bore packing shall be treated using polymer modified mortar admixed with E 135.

Covings, if required, shall be installed using polymer modified mortar admixed with E 135 (SBR, multipurpose concentrated liquid polymer additive and bonding agent).

Water ponding test shall be carried out to find the cracks and construction joints. Cracks or construction joints, if found, shall be treated using polymer modified mortar admixed with E 135.

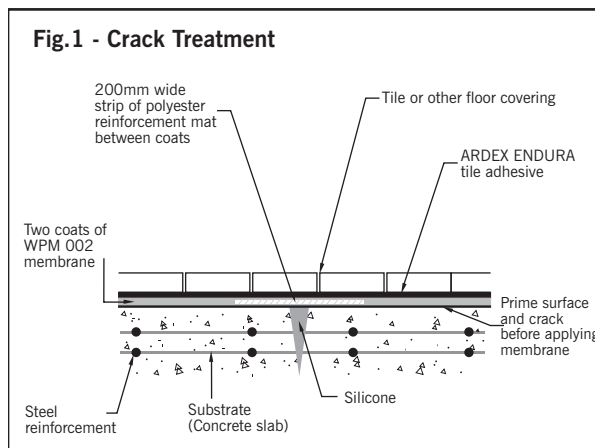
Crack/Joint treatment

Cracks/Joints < 2mm:

Clean and remove any loose particles in the crack. Prime the crack and adjacent area carefully in a band of 200 mm wide and allow to dry before applying WPM 002.

Cracks/Joints 2 - 6mm: (Refer Fig.1)

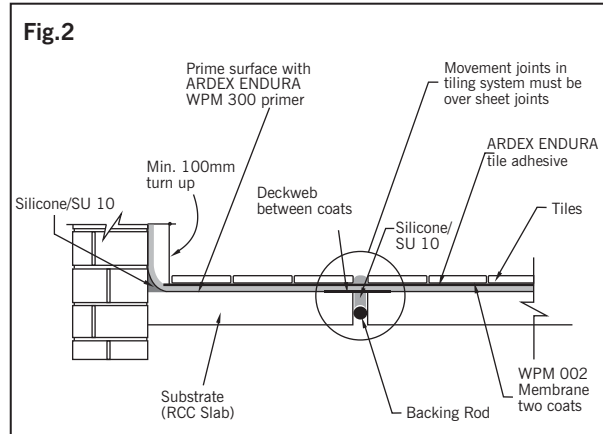
Clean and remove any loose particles in the crack. Prime the crack and adjacent area carefully in a band of 300 mm wide. Apply a bead of neutral cure silicone into the crack and extend it 6 mm either side. Apply WPM 002 on the primed surface and immediately place a 200 mm wide band of Deckweb over the wet coating. Thoroughly wet out the cloth and remove all creases in, or air pockets under the mat. Immediately apply a second coat to completely fill the mat.



Cracks/Joints > 6mm: (Refer Fig.2)

Use the same procedure as above, but replace the reinforcing mat with 120 mm of Coving Bandage.

Note: If tiling, movement joints should be taken to the surface of the tiles and fill with an appropriate joint sealant.



Priming

For fully cured, dried surface:

Mix and apply using a brush or roller a coat of WPM 265 (acrylic primer) to all areas to be waterproofed. Allow the primer to completely dry prior to the application of WPM 002.

For damp surface (with no standing water):

Mix and apply using a brush or roller a coat of WPM 300 (water based epoxy membrane) to all areas to be waterproofed. Allow the primer to completely dry prior to the application of WPM 002.

Mixing

The liquid should be thoroughly stirred and poured in a suitable mixing vessel. Slowly add the powder and mix with spiral mixing paddle in a slow speed drill. Continue until a consistent homogenous mix is achieved.

Corners, Turnings and cut-out treatment

Note: For drywalls, ensure all joints between the panels, wall/floor junctions and cut-outs are sealed with a bead of SU 10 (1 part PU sealant), smooth over the sealant and allowed to dry before starting the treatment.

After the primer has dried, apply WPM 002 over all corners, turnings and cut-outs and immediately place a 190mm wide band of Deckweb (at solid wall & floor corners) / WPT 312 (at all dry wall & floor corners) / WPT 324 (at corners of water retaining wall structure) over the applied membrane. Thoroughly press the cloth using a roller to remove all creases/air pockets under the mat. Immediately apply a second coat to completely fill the mat.

Application

Using a suitable brush or roller, apply the first coat of WPM 002 over the primed surface and allow it to dry before applying a second coat (generally between 4-6 hours @ 27°C/75 RH) in the opposite direction. Allow the membrane to dry completely before tiling or subsequent finishes.

Note: The shower should not be used until the membrane has reached its full strength. Normally WPM 002 membranes are fully cured after 3 days @ 27°C. Pond test should be carried out only after 3 days

WPM 002

Two component undertile waterproofing membrane

CLEANING

Wash hands, brushes, rollers, etc with water while the material is still fresh. Remove cured material mechanically.

STORAGE AND SHELF LIFE

WPM 002 has a shelf life of 12 months if kept in a dry, clean store between 5°C and 30°C in the original unopened containers. The product should be protected from frost, away from direct sunlight and sources of heat.

Precautions

During mixing and application, the following precautions should be observed: ensure adequate ventilation and avoid contact of the material with the eyes, nasal passages, mouth and unprotected skin. Avoid contact with the hands by wearing protective gloves and by using, if necessary, a suitable barrier cream. In case of contact with the eyes, rinse immediately with plenty of water and seek medical advice and after contact with the skin wash immediately with plenty of soap and water. Observe personal hygiene, particularly washing the hands after work has been completed or at any interruption whilst work is in progress. Care should be taken when removing gloves to avoid contaminating the insides. In case of accidents seek medical advice.

DISPOSAL/SPILLAGE

Spillage of any of the product components should be absorbed onto sand or other inert materials and transferred to a suitable disposable vessel. Disposal of such spillage or empty packaging should be in accordance with local waste disposal authority regulations.

For further information please refer to the Material Safety Data Sheet.

CONDITIONS OF SALE

Sold subject to the Company's conditions of sale which are available on request.

NOTE

The information supplied in this datasheet is based upon extensive experience and is given in good faith in order to help you. Our Company policy is one of continuous Research and Development; we therefore reserve the right to update this information at any time without prior notice. We also guarantee the consistent high quality of our products. However, as we have no control over site conditions or the execution of the work, we accept no liability for any loss or damage which may arise as a result thereof.



ARDEX ENDURA (INDIA) PRIVATE LIMITED

an ISO 9001:2015 & ISO 14001:2015 certified company
Corporate Office & Regd. Office: Unit No. 406 & 407,
"Brigade Rubix" No. 20, HMT Campus,
Yeshwanthpur Hobli, Bengaluru - 560013.
CIN No: U24233KA1997PTC022383 Tel: +91 80 66746500
Email: customercare@ardexendura.com
Website: www.ardexendura.com

Branches

| | | | | | |
|----------------|----------------|-------------|---------------|----------------|---------------|
| • AHMEDABAD | +919824019132 | • HUBBALLI | 0836 2970505 | • NAGPUR | +919822223743 |
| • AURANGABAD | +918605445577 | • HYDERABAD | 040 27650293 | • PATNA | +919934687909 |
| • BENGALURU: | +919972922333 | • INDORE | 0731 4021148 | • PUNE | +919881249292 |
| • BHUBANESHWAR | 0674 2578101 | • JAIPUR | 0141 2392993 | • RAIPUR | 0771 4038300 |
| • CALICUT | 0495 2740334 | • KOLKATA | +919831071084 | • SALEM | 0427 2211454 |
| • CHENNAI | 044 42805544 | • LUCKNOW | 0522 4043251 | • SHIVAMOGGA | +919880605770 |
| • DELHI | +9198106 03431 | • LUDHIANA | 0161 2532170 | • TRICHY | 0431 6454649 |
| • ERNAKULAM | 0484 2341044 | • MANGALURU | 0824 2442176 | • TRIVANDRUM | 0471 2598648 |
| • GOA | 0832 2750992 | • MUMBAI | 022 65133299 | • VIJAYAWADA | +918688354587 |
| • GUWAHATI | +917896002188 | • MYSURU | 0821 2570171 | • VISAKAPATNAM | 0891 6469499 |